



TN24 GAS STOVE

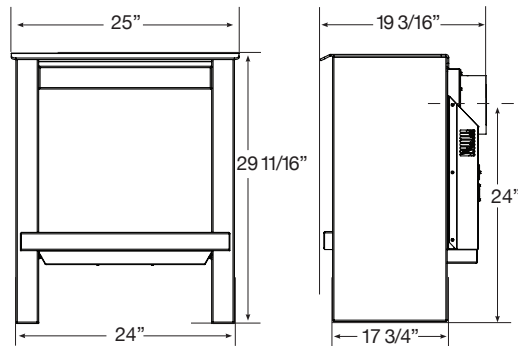


TN24 GAS STOVE

With clean lines and a minimal profile, the TN24 gas stove provides high efficiency heating performance for small to medium sized spaces. The generously appointed window of glass offers a full view of rich flames over stacked logs across the backdrop of lustrous enamel interior panels.

| | |
|--------------------------|---|
| BTU Input NG | 24,000 BTU high 13,500 BTU low |
| BTU Input LP | 24,000 BTU high 12,000 BTU low |
| P.4 Efficiency NG | 74.4% |
| P.4 Efficiency LP | 74.4% |
| AFUE NG | 75.9% |
| AFUE LP | 75.9% |
| Glass Size | 340 sq.in. |

UNIT DIMENSIONS

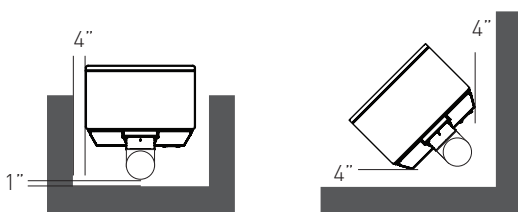


STANDARD FEATURES

- Natural gas or liquid propane
- Direct vent technology
- SIT Pro Flame 2 valve
- Pro Flame remote control
- Integrated micro-mesh safety screen
- Rich, full flames
- High-efficiency heat exchanger with aluminum fins
- Leveling legs
- Rear vent capable
- Minimal vertical venting
- Mobile home approved
- Floor illumination
- Black porcelain interior panels
- Stacked mature-fire logset
- Preassembled for quick and easy installation
- 2 x 80 cfm blowers

MINIMUM CLEARANCES TO COMBUSTIBLES

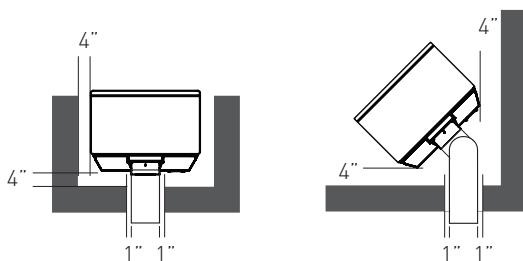
Vertical Connector



Straight/Alcove

Corner

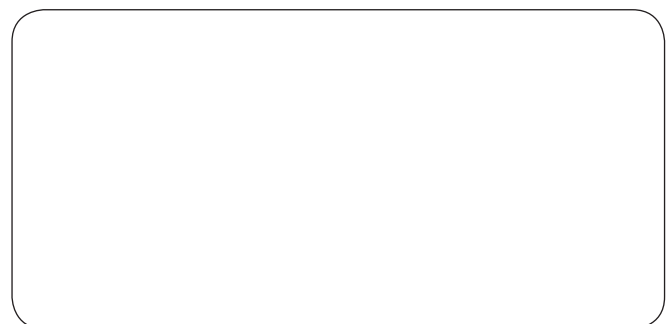
Horizontal Connector



Minimum Clearance from top of Stove to Ceiling = 18 in.

SAFETY

When designing any heat source, safety is always at the forefront. With today's advanced technologies and materials, there's no need to compromise aesthetics for safety; the TN24 comes standard with an integrated micromesh safety screen for a virtually invisible safety barrier and a clear, unobstructed view of the flame.



PROA.TNGFS 06/17/30M - Printed in Canada